

PLEASE READ AND SAVE THIS USE AND CARE BOOK.  
POR FAVOR LEA ESTE INSTRUCTIVO ANTES DE USAR EL PRODUCTO.  
VEUILLEZ LIRE ET CONSERVER CE GUIDE D'ENTRETIEN ET D'UTILISATION.

**BLACK & DECKER®**

**HOME CAFE™**

**One-Cup Coffeemaker**  
**Cafetera de una taza**  
**Cafetière de une tasse**



- To order more coffee pods,
- Visit your favorite retailer
  - Go online [www.homecafe.com](http://www.homecafe.com)
  - Call 1-800-HomeCafe (466-3223)

? USA/Canada 1-800-231-9786  
Mexico 01-800-714-2503  
[www.blackanddecker.com](http://www.blackanddecker.com)

- Para comprar más bolsitas de café,
- Visite su almacén predilecto
  - Visite el sitio web [www.homecafe.com](http://www.homecafe.com)
  - Llame al 1-800-HomeCafe (466-3223)

Accessories/Parts (USA/Canada)  
Accesorios/Partes (EE.UU./Canadá)  
Accessoires/Pièces (É.-U./Canada)  
1-800-738-0245

- Pour commander d'autres sachets de café,
- visiter son détaillant préféré;
  - visiter le site [www.homecafe.com](http://www.homecafe.com)
  - ou composer le 1-800-HomeCafe (466-3223).

Models/Modelos/Modèles  
HCC70, HCC70C, HCC100,  
HCC100C, HCC155C, HCC75,  
AM7, AM7C, AM8, AM8C

# IMPORTANT SAFETY INSTRUCTIONS

- Read all instructions.
- Do not touch hot surfaces. Use handles or knobs.
- To protect against fire, electric shock and injury to persons do not immerse cord, plugs, or unit in water or other liquid.
- Close supervision is necessary when any appliance is used by or near children.
- Unplug from outlet when not in use and before cleaning. Allow to cool before putting on or taking off parts, and before cleaning the appliance.
- Do not operate any appliance with a damaged cord or plug or after the appliance malfunctions, or has been damaged in any manner. Return appliance to the nearest authorized service facility for examination, repair or adjustment.
- The use of accessory attachments not recommended by the appliance manufacturer may result in fire, electric shock or injury to persons.
- Do not use outdoors.
- Do not let cord hang over edge of table or counter, or touch hot surfaces.
- Do not place on or near a hot gas or electric burner, or in a heated oven.
- To disconnect, press the STOP button, then remove plug from wall outlet.
- Do not use appliance for other than intended use.

## SAVE THESE INSTRUCTIONS.

### POLARIZED PLUG (120V Models Only)

This appliance has a polarized plug (one blade is wider than the other). To reduce the risk of electric shock, this plug will fit in a polarized outlet only one way. If the plug does not fit fully in the outlet, reverse the plug. If it still does not fit, contact a qualified electrician. Do not modify the plug in any way.

### ELECTRIC CORD

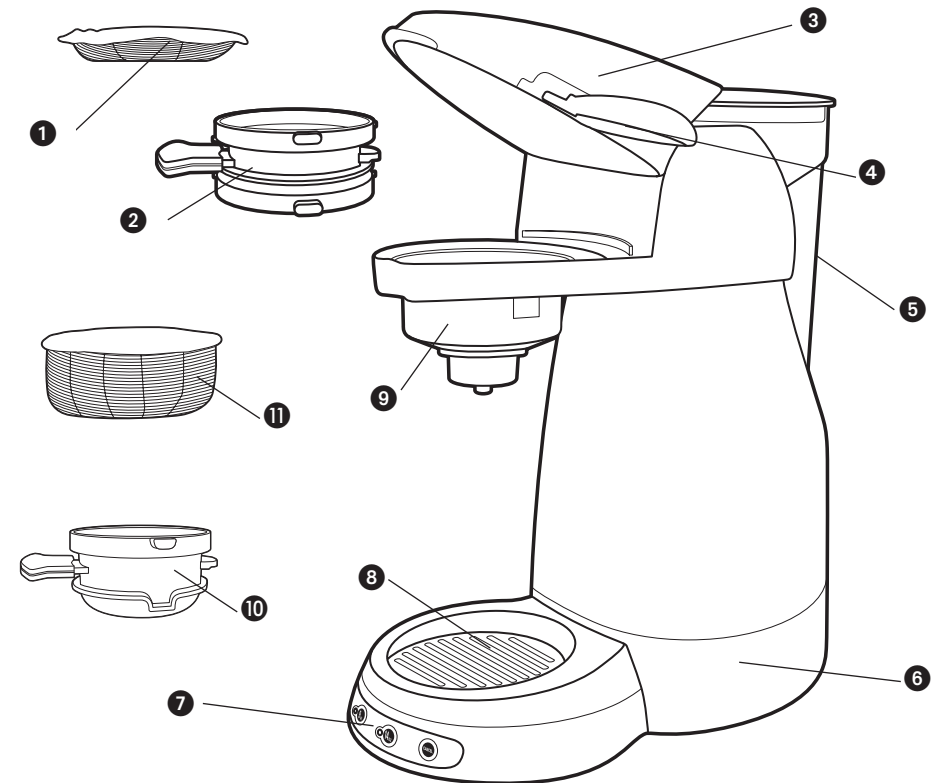
The cord of this appliance was selected to reduce the possibility of tangling in or tripping over a longer cord. If more length is needed, use an extension cord rated no less than 15 amperes. (For 220 volts rated products, use an extension cord rated no less than 6 amperes). When using an extension cord, do not let it drape over the working area or dangle where someone could accidentally trip over it. Handle cord carefully for longer life; avoid jerking or straining it at outlet and appliance connections.

### TAMPER-RESISTANT SCREW

This appliance is equipped with a tamper-resistant screw to prevent removal of the bottom cover. To reduce the risk of fire or electric shock, do not attempt to remove the bottom cover. There are no user serviceable parts inside. Repair should be done only by authorized service personnel.

**Note: If the power supply cord is damaged, it must be replaced by the manufacturer or its service agent or a similarly qualified person in order to avoid a hazard.**

Product may vary slightly from what is illustrated.

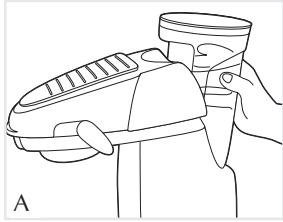


1. Regular pod
  - † 2. Two-sided, regular pod holder (Part #100000632-00)
  3. Lid
  4. Lid handle
  - † 5. Water Reservoir (Part #177611-00)
  6. Base
  7. Control panel
  - † 8. Brewing plate (Part #179721-00)
  - † 9. Splash guard (Part #100000506-00)
  - † 10. Specialty pod holder (Part #100000633-00)
  11. Specialty coffee pod (not included)
- † Consumer replaceable

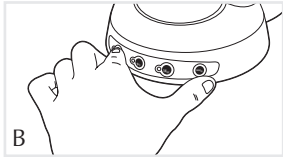
## How to Use

This appliance is for household use only.

### TO PREP THE UNIT BEFORE FIRST USE:

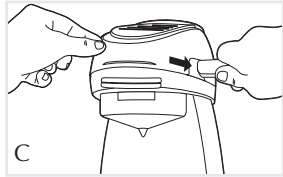


1. Remove the water reservoir from back of unit (A). Fill with water to MAX line and replace into unit.
2. Place a 9-oz. or larger cup on brewing plate.
3. Push the 9-oz. brew button (B) and allow water to cycle through the unit and into the cup.
4. The brew button light will remain on until the brewing cycle is finished.
5. Your Home Café™ unit is now ready to brew.

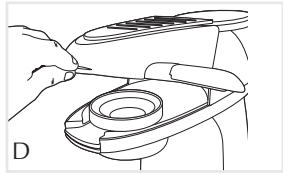


Note: During the priming cycle, the unit will be loud and create a larger than normal amount of steam.

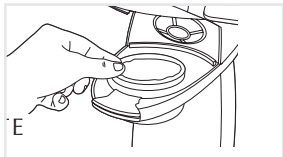
### TO BREW A HOME CAFÉ™ BEVERAGE:



1. Remove water reservoir from back of unit; fill with water to at least the 7, 9 oz. line and replace into unit.
2. Unlock the unit lid by pushing the lid handle toward the back of the unit (C).
3. Lift the unit lid to the fully open position (D).
4. Insert a coffee pod in the pod holder with the flat side up (E). For a 14-oz. cup of coffee, remove pod holder, flip, and place back into unit, place two pods in the deeper side of the pod holder, both with the flat side up. Fill with water to at least the 14-oz. line.

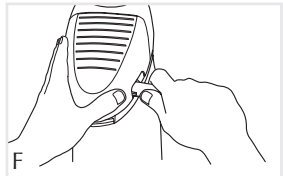


5. Place a cup or mug on the brewing plate.
6. Close the lid.
7. While holding the top of the lid with one hand, pull the lid handle with the other toward the front of unit until it locks (F).
8. Push the desired brew button. The brew button light will remain on until the brewing cycle is finished.
9. When the indicator light goes out, remove the filled mug from the brewing plate to enjoy your coffee.
10. To dispose of used pod, unlock unit lid and remove the pod.

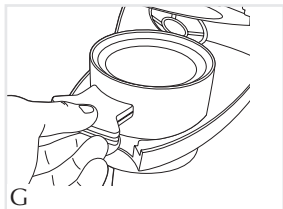


### TO BREW A HOME CAFÉ™ SPECIALTY COFFEE POD:

Specialty pods will be available at your favorite retailers soon. Go to [www.homecafe.com](http://www.homecafe.com) for more information.











1. Follow steps 1 through 3 above.
2. Remove the regular pod holder and insert the specialty pod holder (G).
3. Insert a specialty coffee pod in the specialty pod holder with the flat side up.
4. Place a cup or mug on the brewing plate.
5. Close the lid and pull the lid handle toward the front of the unit until it locks.



6. Push the 7-oz. brew button. Specialty pod beverages MUST be brewed with the 7-oz. brew button to maximize flavor and consistency. The brew button light will remain on until the brewing cycle is finished.
7. When the indicator light goes out, remove the filled mug from the brewing plate to enjoy your coffee.
8. When brewing creamy, specialty pods, clean the specialty pod holder and splash guard after brewing or at the end of the day.

## Brewing Tips

 <b>7 oz</b>	 <b>9 oz</b>	 <b>14 oz</b>
 <b>Strong</b>	 <b>Regular</b>	<b>N/A</b>
 <b>Extra Strong</b>	 <b>Strong</b>	 <b>Regular</b>

- Do not use the same pod twice. The best coffee flavors are extracted the first time water passes through the pod.
- Do not use damaged pods.
- Do not use other brands of coffee pods or loose grounds with a filter. For the optimal Home Café™ experience, use Folgers® or Millstone® Home Café™ coffee pods.

## Care and Cleaning

This product contains no user serviceable parts. Refer service to qualified service personnel.

1. Before cleaning, unplug the unit and allow it to cool fully.
2. Unlock the pod handle and lift the unit lid.
3. Remove the pod and discard.
4. Remove the pod holder and splash guard and wash them with mild detergent.
5. Wipe surface with a clean, damp cloth. Do not use abrasive cleaners, as they may scratch the surface.
6. Rinse and dry all parts thoroughly. Never immerse unit/base in water.

### Removing mineral deposits:

After continual use, mineral deposits may form in the appliance. The rate at which they form will vary according to the hardness of water used and the frequency with which the unit is operated. If mineral deposits are not removed, they can impair the operation and product life of the unit.

**Regular descaling is recommended.**

1. Pour 8-oz. white vinegar into the water reservoir. Add 6-oz. fresh water. (Make sure the pod holder and the splash guard are both inserted and that there is no pod in the holder.)
2. Set a 7-oz. or larger mug on the brewing plate.
3. Press 7-oz. brew button and let the cleaning solution brew through unit.
4. When unit stops, empty the mug and return it to the brewing plate.
5. Press 7-oz. brew button again. Empty the mug and return it to the brewing plate.
6. Fill water reservoir with 16-oz. fresh, cold water.
7. Press 7-oz. brew button to flush out the remaining solution. Empty the mug and return it to the brewing plate.
8. Press the 7-oz. brew button to repeat the process.
9. Wash the pod holder and splash guard as instructed in the Care and Cleaning section.

**To Store:** Unplug and store in a clean, dry place.

## Troubleshooting

### **My Home Café™ brewer runs out of water in the middle of a brew.**

If the unit runs out of water, it will automatically stop brewing. Refill the water reservoir. Start with a fresh cup and coffee pod and brew your next cup.

### **I push the brew button, but nothing happens.**

Make sure the unit is plugged in, the water reservoir is full, and the lid handle is in the closed position. If there is still no power to the brewer, call 1-800-HomeCafe (466-3223).

### **My coffee is not strong enough.**

#### **Possible solutions:**

- Use either two mild blend pods or try a darker roast pod
- Use a smaller cup size
- \*• Do not use same pod twice

### **My coffee is too strong.**

#### **Possible solutions:**

- Use a mild blend coffee pod
- Use a larger cup size
- \*• Do not use same pod twice

\*The best coffee flavors are extracted the first time water passes through the pod.

### **I have lost a removable appliance part.**

Call 1-800-HomeCafe or go to [www.homecafe.com](http://www.homecafe.com) for replacement parts.

### **The pod holder is clogged and the unit begins to overflow.**

Press the STOP button. Remove and wash the pod holder and splash guard. Throw away the coffee pod. Open the lid and wipe off the water holes on the underside. Reinsert the pod holder and splash guard and insert a fresh pod. Make sure there is water in the water reservoir and resume brewing.

## Questions & Answers

### **Q. How is the Home Café™ brewer different from the coffeemaker I use now?**

**A.** Home Café™ brewer uses premium, pre-measured coffee pods and unique pressure-brewing normally found in coffeehouses. Home Café™ brewer both regular coffees and specialty coffees.

### **Q. Does the Home Café™ brewer make espresso?**

**A.** While the Home Café™ brewer does not make espresso, you can use 2 regular pods with the 7 oz. setting to achieve a stronger beverage.

### **Q. What if I push the wrong brew button?**

**A.** If you press STOP in the middle of a brew cycle and then select another brew button, you may have overflow. It is best to allow the initial brew cycle you selected to complete and then begin again with a fresh cup and pod.

### **Q. Can I use other coffees, besides Folgers® and Millstone®, in the Home Café™ brewer?**

**A.** Your Home Café™ brewer is specially designed to work with Home Café™ pods. Using other brands of coffee pods or using loose grounds with a filter may clog or damage your Home Café™ unit.

### **Q. Can I use loose ground coffee or instant coffee in the pod holder? Even if I use a filter?**

**A.** No. Your Home Café™ brewer and pods are specially designed to work with Home Café™ pods. Instant coffee, ground coffee, and regular filters will not give you the same great results with Home Café™ brewer.

### **Q. Can the Home Café™ brewer make other types of beverages besides coffee?**

**A.** Currently, Home Café™ brewer makes several blends, flavors and roasts from Folgers® and Millstone®. Specialty pods will be available soon at your favorite retailer. Go to [www.homecafe.com](http://www.homecafe.com) for more information.

### **Q. What can I do about the coffee splash I sometimes experience when brewing?**

**A.** There may be a small amount of splashing, depending on the size of the mug used. To reduce splashing, use a taller coffee mug. If you see splashing, do not stand right next to the unit so that you will avoid skin contact.

### **Q. Why does the appliance come with two different pod holders?**

**A.** The two-sided, regular pod holder is for regular pods. The more shallow side fits one pod, and the deeper side holds two pods. The larger, specialty pod holder is for specialty coffee pods. Go to [www.homecafe.com](http://www.homecafe.com) for more information.

### **Q. Can I brew regular pods in the specialty pod holder?**

**A.** No. The specialty pod holder is specifically designed for specialty pods.

### **Q. Can I brew specialty pods in the regular pod holder?**

**A.** No. Specialty pods will only fit in the specialty pod holder.

### **Q. Can I make a 9-oz. or 14-oz. specialty beverage?**

**A.** Specialty pods must be brewed with the 7-oz. brew size to maximize flavor and consistency.

### **Q. Can I reuse a pod?**

**A.** Reuse of coffee pods isn't recommended. The best coffee flavors are extracted the first time water passes through the pod.

### **Q. Why does my Home Café™ brewer make a strange noise after brewing a 7-oz. drink?**

**A.** The 7-oz. brew size has a unique brew process to brew both black coffee drinks as well as specialty beverages.

### **Q. Can I use a teabag in my Home Café™ brewer to make tea?**

**A.** No. Your Home Café™ unit is specially designed to hold Folgers® and Millstone® coffee pods.

### **Q. Can I use other brands of pods in your machine?**

**A.** No. The Home Café™ pods were specially designed for the Home Café™ system to deliver the best cup of coffee every time you make a cup.

# INSTRUCCIONES IMPORTANTES DE SEGURIDAD

- Lea todas las instrucciones.
- No toque las superficies calientes. Utilice las asas o las perillas.
- Para evitar incendios, choques eléctricos y lesiones personales no sumerja el cable, los enchufes o el aparato en agua ni en ningún otro líquido.
- La supervisión de un adulto es necesaria cuando el aparato es utilizado por niños o cerca de ellos.
- Desconecte el aparato de la toma de corriente cuando no esté en funcionamiento y antes de limpiarlo. Espere que el aparato se enfríe antes de instalar o retirar las piezas y antes de limpiarlo.
- No se debe utilizar ningún aparato eléctrico que tenga el cable o el enchufe averiado, que presente un problema de funcionamiento o que esté dañado. Devuelva el aparato al centro de servicio autorizado más cercano para que lo examinen, reparen o ajusten.
- El uso de accesorios no recomendados por el fabricante del aparato podría ocasionar incendios, choques eléctricos o lesiones personales.
- Este aparato no se debe utilizar a la intemperie.
- No permita que el cable cuelgue del borde de la mesa o el mostrador, o que toque superficies calientes.
- No coloque el aparato sobre una hornilla eléctrica o de gas caliente, o en un horno caliente.
- Para desconectar la cafetera, oprima el botón STOP y luego desconecte el enchufe de la toma de corriente.
- Utilice el aparato únicamente con el fin previsto.

**CONSERVE ESTAS INSTRUCCIONES.**

## ENCHUFE POLARIZADO (Solamente en los modelos de 120V)

Este artefacto posee un enchufe polarizado (un contacto es más ancho que el otro). Para reducir los riesgos de choque eléctrico, este enchufe entra en un contacto polarizado de una sola manera. Si el enchufe no entra en su contacto, inviértalo. Si aun así no entra, busque la ayuda de un electricista calificado. No intente hacerle ninguna modificación al enchufe.

## CABLE ELÉCTRICO

El cable de este aparato fue escogido a fin de evitar el riesgo de enredarse o de tropezar con un cable de mayor longitud. Cualquier cable de extensión que se deba emplear, deberá estar calificado para nada menor de 15 amperios. (Para aquellos productos de 220 voltios, se deberá utilizar un cable de extensión no menor de 6 amperios). Cuando utilice un cable de extensión, asegúrese que no interfiera con la superficie de trabajo ni que cuelgue de manera que alguien se pueda tropezar. A fin de aumentar la vida útil del cable, no tire de él ni maltrate las uniones del cable con el enchufe ni con el aparato.

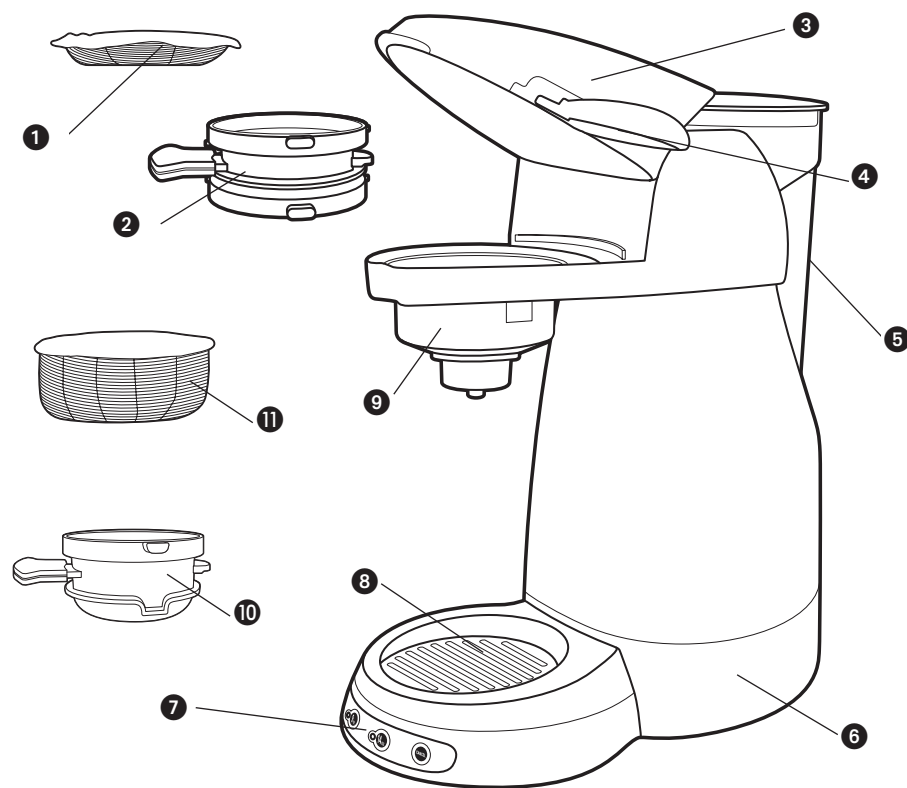
## TORNILLO DE SEGURIDAD

Esta unidad está equipada con un tornillo de seguridad para prevenir que se le remueva la cubierta en la parte de abajo. Para reducir el riesgo de incendio o choque eléctrico, por ningún motivo intente quitar esta cubierta. La unidad no contiene partes reparables por dentro. Cualquier reparación deberá ser llevada a cabo únicamente por personal de servicio autorizado.

**Nota: Si el cordón de alimentación es dañado, este debe ser reemplazado por el fabricante o su agente de servicio o por personal calificado para evitar el riesgo.**



El producto puede variar ligeramente del que aparece ilustrado.

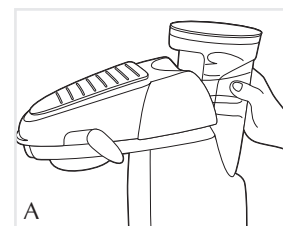


- 1. Bolsita de café corriente
- † 2. Recipiente reversible para bolsita de café corriente (Part #1000000632-00)
- 3. Tapa
- 4. Mango de la tapa
- † 5. Tanque de agua (Part #177611-00)
- 6. Base
- 7. Panel de control
- † 8. Placa de colado (Part #179721-00)
- 9. Guarda contra salpicaduras (Part #1000000506-00)
- † 10. Recipiente para bolsita de café especial (Part #1000000633-00)
- 11. Bolsita de café especial (no incluida)
- † Reemplazable por el consumidor

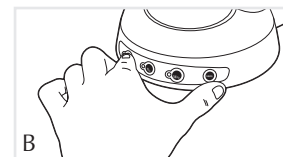
## Como usar

Ese producto es solamente para uso doméstico.

### PREPARACIÓN DEL APARATO ANTES DEL PRIMER USO:

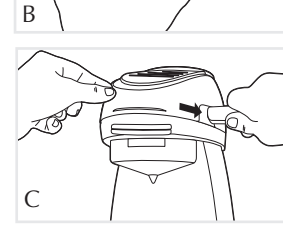


1. Retire el tanque de agua de la parte de atrás del aparato (A). Llénelo con agua hasta la línea MAX y vuelva a colocarlo en el aparato.
2. Coloque una taza de 266 ml (9 oz) sobre la placa de colado.
3. Presione el botón de colado de 266 ml (9 oz) (B) y permita que el agua pase de la cafetera a la taza.
4. La luz del botón de colado permanece encendida hasta que el ciclo de colado finaliza.

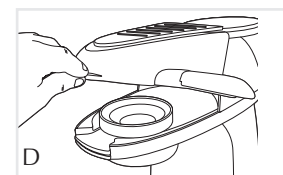


5. La cafetera Home Café™ ya está lista para preparar café.
- Nota: Durante el primer ciclo de funcionamiento el aparato produce sonidos fuertes y emite más vapor de lo normal.

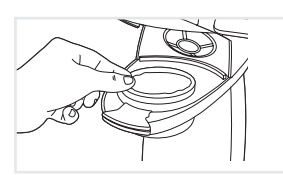
### PREPARACIÓN DE CAFÉ CON LA CAFETERA HOME CAFÉ™:



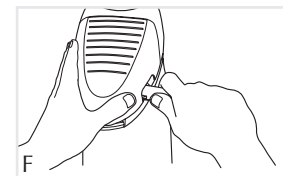
1. Retire el tanque de agua de la parte trasera del aparato, llénelo de agua como mínimo hasta la línea que indica 7,9 oz e instale el tanque nuevamente en la cafetera.
2. Abra la tapa del aparato, empujando el mango de la tapa hacia la parte trasera del mismo (C).



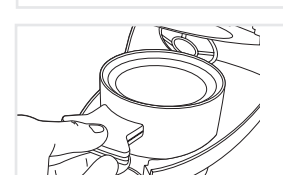
3. Alce la tapa hasta quedar completamente abierta (D).
4. Coloque una bolsita de café, con el costado plano hacia arriba (E), adentro del recipiente para las bolsitas. Para una taza de café de 414 ml (14 oz), retire el recipiente de las bolsitas, inviértalo e instale nuevamente en el aparato, coloque dos bolsitas en la parte más profunda del recipiente, ambas con los costados hacia arriba. Vierta agua en el tanque por lo menos hasta la línea que indica 414 ml (14 oz).



5. Coloque una taza sobre la placa de colado.
6. Cierre la tapa.
7. Mientras sujeta la tapa con una mano, tire del mango de la tapa con la otra hacia el frente de la cafetera hasta cerrar (F).



8. Presione el botón del colado deseado. La luz indicadora de colado permanece encendida hasta finalizar el ciclo de colado.
9. Cuando la luz indicadora se apaga, uno puede retirar la taza de la placa de colado y disfrutar de un sabroso café.
10. Para desechar la bolsita de café usada, abra la tapa del aparato y retire la bolsita.











### PREPARACIÓN DE CAFÉ ESPECIAL CON LA CAFETERA HOME CAFÉ™:

Las bolsitas de café especial estarán a la venta muy pronto en su almacén predilecto. Para más información, visite el sitio web [www.homecafe.com](http://www.homecafe.com)

1. Siga los pasos 1 al 3 anteriores.
2. Retire el recipiente para las bolsitas corrientes e instale el recipiente para las bolsitas de café especial (G).

3. Inserte una bolsita de café especial, con el costado plano hacia arriba, adentro del recipiente.
4. Coloque una taza sobre la placa de colado.
5. Cierre la tapa y tire del mango de la tapa hacia el frente de la cafetera hasta cerrar.
6. Para aprovechar al máximo el sabor y la consistencia de las bebidas en bolsitas especiales, se DEBE presionar el botón de 7 oz. La luz indicadora del botón de colado permanece encendida hasta finalizar el ciclo de colado.
7. Cuando la luz indicadora se apaga, uno puede retirar la taza de la placa de colado y disfrutar de un sabroso café.
8. Al preparar bebidas cremosas, limpie el soporte para bolsitas especializadas y el protector contra salpicaduras después de utilizar la cafetera, o bien al final del día.

## Consejos prácticos para colar el café

		
<b>207 ml (7 oz)</b>	<b>266 ml (9 oz)</b>	<b>414 ml (14 oz)</b>
		
<b>Fuerte</b>	<b>Regular</b>	<b>N/A</b>
		
<b>Extra Fuerte</b>	<b>Fuerte</b>	<b>Regular</b>

- No utilice la misma bolsita de café dos veces. El mejor sabor del café se extrae la primera vez que el agua pasa por la bolsita.
- No utilice ninguna bolsita dañada.
- No utilice otras marcas de bolsitas de café ni filtros con molido de café. Para disfrutar al máximo la cafetera Home Cafe™, utilice las bolsitas de café Folgers® o Millstone® Home Cafe™.

## Cuidado y limpieza

El aparato no contiene piezas reparables por el consumidor. Para servicio, acuda a personal de asistencia calificado.

1. Antes de limpiar el aparato, desconéctelo y permita que se enfríe por completo.
2. Abra la tapa y álcela.
3. Retire la bolsita de café y deséchela.
4. Retire el recipiente para las bolsitas y la guarda contra salpicaduras y lávelos con un detergente suave.
5. Limpie la superficie con un paño limpio humedecido. No use limpiadores abrasivos que puedan rayar la superficie.

6. Enjuague y seque bien todas las piezas. Nunca sumerja la cafetera ni la base en agua.

### Eliminación de depósitos minerales:

Después del continuo, es posible que se formen depósitos minerales en la cafetera. Estos depósitos se forman según la dureza del agua y la frecuencia con la que se utiliza la cafetera. Si los depósitos minerales no se eliminan, pueden perjudicar el funcionamiento y la vida útil del producto.

### Se recomienda limpiar los residuos regularmente

1. Vierta 236 ml (8 oz) de vinagre blanco en el tanque de agua. Agregue 177 ml (6 oz) de agua fresca. Asegúrese de que el recipiente de las bolsitas al igual que la guarda contra salpicaduras estén instaladas y que no haya ninguna bolsita adentro del recipiente.
2. Coloque una taza de 207 ml (7 oz) o de mayor capacidad sobre la placa de colado.
3. Presione el botón de 207 ml (7 oz) y permita que la solución limpiadora se cuele a través de la cafetera.
4. Cuando la cafetera se detenga, vacíe la taza y vuelva a colocarla sobre la placa de colado.
5. Oprima de nuevo el botón de 207 ml (7 oz). Vacíe y coloque la taza nuevamente sobre la placa.
6. Vierta 473 ml (16 oz) de agua fresca y fríe en el tanque.
7. Presione el botón de 207 ml (7 oz) para eliminar el resto de la solución limpiadora. Vacíe la taza y vuelva a colocarla sobre la placa de colado.
8. Presione el botón de 207 ml (7 oz) para repetir el proceso.
9. Lave el recipiente para las bolsitas y la guarda contra salpicaduras según las instrucciones en la sección de cuidado y limpieza de este manual.

**Almacenamiento:** Desconecte y guarde la cafetera en un lugar limpio y seco.

## Detección de fallas

### La cafetera Home Café™ se queda sin agua a medio ciclo de colado.

Si la cafetera se queda sin agua el ciclo de colado se interrumpe automáticamente. Vuelva a llenar el tanque de agua. Coloque otra taza y otra bolsita de café y repita el proceso.

### No sucede nada al presionar el botón de colado.

Asegúrese de que la cafetera esté conectada, que el tanque de agua esté lleno y de que el mango de la tapa esté en la posición de cierre. Si aún así la cafetera no funciona, llame al 1-800-HomeCafe (466-3223).

### El café no está lo suficientemente fuerte

#### Alternativas:

- Utilice dos bolsitas de café corriente o una de café más fuerte.
- Agregue menos agua.

\* No utilice la misma bolsita dos veces

### El café está demasiado fuerte

#### Alternativas:

- Ensaye con una mezcla de café menos fuerte
- Utilice una taza más grande

\* No utilice la misma bolsita dos veces

\* El café más sabroso se extrae la primera vez que el agua pasa por la bolsita.

### He perdido una pieza de repuesto.

Para obtener piezas de repuesto, llame al 1-800-HomeCafe o visite [www.homecafe.com](http://www.homecafe.com).

**El recipiente para las bolsitas está obstruido y el café se derrama.**

Presione el botón de interrupción STOP. Retire y lave el recipiente para las bolsitas y la guarda contra salpicaduras. Deseche la bolsita de café. Abra la tapa y limpie los orificios del agua por debajo. Instale nuevamente el recipiente y la guarda y coloque una bolsita nueva. Asegúrese de que haya agua en el tanque y reinicie el ciclo de colado.

## Preguntas y respuestas

- P. ¿Cuál es la diferencia entre la cafetera Home Café™ y las cafeteras corrientes?**
- R.** La cafetera HomeCafé™ cuele bolsitas de café de calidad superior, semejante al de las cafeterías; cuele café corriente al igual que el café especial.
- P. ¿Se puede preparar café expreso con la cafetera Home Café™?**
- R.** La cafetera HomeCafé™ no permite preparar café expreso, sin embargo, se puede utilizar dos bolsitas de café y presionar el botón para (7 oz), a fin de lograr un café más fuerte.
- P. ¿Qué sucede cuando uno presiona el botón de colado equivocado?**
- R.** Si uno presiona el botón de interrupción (STOP) a medio ciclo de colado y luego escoge otra opción de colado, el café se puede derramar. Permita que finalice el ciclo de colado programado y luego empiece con otra taza y una bolsita nueva.
- P. ¿Se pueden utilizar otras marcas de café, además de Folgers® y Millstone®, con la cafetera Home Café™?**
- R.** No. La cafetera Home Café™ está diseñada especialmente para su uso con las bolsitas de Home Café™. El uso de bolsitas de café de otras marcas o el uso de café molido con un filtro podría obstruir o dañar la cafetera.
- P. ¿Se puede utilizar café molido suelto o café instantáneo en el recipiente para las bolsitas, si se utiliza un filtro?**
- R.** La cafetera Home Café™ está diseñada especialmente para uso con las bolsitas de Home Café™. El uso de café instantáneo, café molido y filtros corrientes no garantiza el resultado de calidad que proporciona la cafetera Home Café™.
- P. ¿Se pueden preparar otros tipos de bebidas, además de café, con la cafetera Home Café™?**
- R.** Hoy día, la cafetera Home Café™ permite preparar varias mezclas y tipos de café de las marcas Folgers® y Millstone®. Las bolsitas de café especial estarán a la venta muy pronto en su almacén predilecto. Visite el sitio web [www.homecafe.com](http://www.homecafe.com) para más información.
- P. ¿Qué se puede hacer para evitar las salpicaduras de café que se producen ocasionalmente?**
- R.** Puede haber salpicaduras según el tamaño de la taza.
- P. ¿Por qué trae dos recipientes la cafetera?**
- R.** El recipiente reversible es para las bolsitas corrientes. El costado menos profundo acomoda una bolsita y reverso acomoda dos. El recipiente más amplio es para las bolsitas de café especial. Consulte el sitio web [www.homecafe.com](http://www.homecafe.com) para más información.
- P. ¿Se puede colar bolsitas de café corriente en el recipiente para las bolsitas de café especial?**
- R.** No. El recipiente para las bolsitas de café especial ha sido diseñado específicamente para las mismas.
- P. ¿Se puede colar bolsitas de café especial en el recipiente para las bolsitas de café corriente?**
- R.** No. Las bolsitas de café especial se acomodan solamente al recipiente correspondiente.

- P. ¿Se puede preparar un café especial de 266 ml (9 oz) o uno de 414 ml (14 oz)?**
- R.** Para preparar bebidas especiales, se debe utilizar la opción de colado de 207 ml (7 oz) a fin de obtener el máximo sabor y consistencia.
- P. ¿Se puede reutilizar una bolsita?**
- R.** No se recomienda reutilizar las bolsitas de café. El mejor sabor se extrae la primera vez que se utiliza la bolsita.
- P. ¿Por qué la cafetera Home Café™ produce un ruido extraño después de preparar una bebida de 207 ml (7 oz)?**
- R.** La opción de colado de 207 ml (7 oz) consiste de un proceso único que permite preparar el café corriente al igual que los cafés especiales.
- P. ¿Se puede preparar té con la cafetera Home Café™?**
- R.** No. La cafetera Home Café™ está especialmente diseñada para las bolsitas de café de las marcas Folgers® y Millstone®.
- P. ¿Se pueden utilizar bolsitas de otras marcas con la cafetera?**
- R.** No. Las bolsitas de la cafetera Home Café™ fueron especialmente diseñadas para preparar el mejor café.



## IMPORTANTES MISES EN GARDE

- Lire toutes les directives.
- Ne pas toucher aux surfaces chaudes; utiliser les poignées et les boutons.
- Afin d'éviter les risques d'incendie, de secousses électriques ou de blessures, ne pas immerger le cordon, la fiche ni l'appareil.
- Exercer une étroite surveillance lorsqu'on utilise l'appareil près d'un enfant ou que ce dernier s'en sert.
- Débrancher l'appareil avant de le nettoyer et lorsqu'on ne s'en sert pas. Laisser l'appareil refroidir avant d'enlever ou de remettre des accessoires, et avant de nettoyer l'appareil.
- Ne pas utiliser un appareil dont la fiche ou le cordon est abîmé, qui présente un problème de fonctionnement ou qui est endommagé. Confier l'examen, la réparation ou le réglage de l'appareil au centre de service autorisé de la région.
- L'utilisation d'accessoires non recommandés par le fabricant présente des risques d'incendie, de secousses électriques ou de blessures.
- Ne pas utiliser à l'extérieur.
- Ne pas laisser pendre le cordon d'une table ou d'un comptoir, ni le laisser entrer en contact avec une surface chaude.
- Ne pas placer sur ni près d'une cuisinière au gaz ou à l'électricité chaude, ni dans un four réchauffé.
- Pour débrancher, enfoncer le bouton d'annulation (STOP), puis retirer la fiche de la prise murale.
- Utiliser l'appareil uniquement aux fins auxquelles il a été prévu.

## CONSERVER CES MESURES.

### FICHE POLARISÉE (Modèles de 120 V seulement)

Le produit est muni d'une fiche polarisée (une lame plus large que l'autre). Ce genre de fiche n'entre que d'une façon dans une prise polarisée, afin de minimiser les risques de secousses électriques. Lorsqu'on ne peut insérer la fiche à fond dans la prise, il faut tenter de le faire après avoir inversé les lames de côté. Si la fiche n'entre toujours pas dans la prise, il faut communiquer avec un électricien certifié. Il ne faut pas modifier la fiche.

### CORDON ÉLECTRIQUE

La longueur du cordon de l'appareil a été choisie afin d'éviter les risques d'enchevêtrement et de trébuchement que présente un long cordon. Tout cordon de d'au moins 15 ampères, (ou de 6 ampères, dans le cas des produits de 220 volts), peut servir au besoin. Lorsqu'on utilise un cordon de rallonge, s'assurer qu'il ne traverse pas la surface de travail ni qu'il pend de façon qu'on puisse trébucher dessus par inadvertance. Manipuler le cordon avec soin afin d'en prolonger la durée; éviter de tirer dessus et de le soumettre à des contraintes près des prises ou des connexions de l'appareil.

### VIS INDESSERRABLE

L'appareil est doté d'une vis indesserrable empêchant l'enlèvement du couvercle inférieur. Pour réduire les risques d'incendie ou de secousses électriques, ne pas tenter de retirer le couvercle inférieur. L'utilisateur ne peut pas remplacer les pièces de l'appareil. En confier la réparation seulement au personnel des centres de service autorisés.

**Note :** Lorsque le cordon d'alimentation est endommagé, il faut en confier la réparation au fabricant, à son agent de service autorisé ou une personne qualifiée afin d'éviter tout risque.

Le produit peut différer légèrement de celui illustré.



1. Sachet régulier
- + 2. Porte-sachet régulier réversible (pièce n° 1000000632-00)
3. Couvercle
4. Poignée du couvercle
- + 5. Réservoir (pièce n° 177611-00)
6. Socle
7. Panneau de commande
- + 8. Plaque d'infusion (pièce n° 179721-00)
- + 9. Écran antiéclaboussure (pièce n° 1000000506-00)
- + 10. Porte-sachet de café spécial (pièce n° 1000000633-00)
11. Sachet de café spécial (non compris)
- + Remplaçable par le consommateur

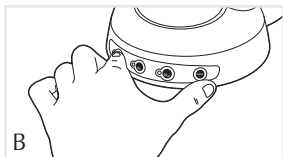
## Utilisation

L'appareil est conçu pour une utilisation domestique seulement.

### PRÉPARATION DE L'APPAREIL AVANT LA PREMIÈRE UTILISATION

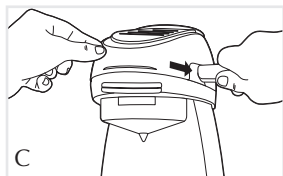


1. Retirer le réservoir de l'arrière de l'appareil (A). Le remplir d'eau jusqu'à la marque MAX et remettre le réservoir dans l'appareil.
2. Déposer une tasse d'au moins 266 ml (9 oz) sur la plaque d'infusion.
3. Enfoncer le bouton d'infusion de 266 ml (9 oz) (B) et laisser l'eau s'écouler dans la tasse.
4. Le bouton d'infusion reste allumé jusqu'à la fin du cycle d'infusion.
5. L'appareil peut maintenant servir.



Note : Pendant le cycle d'amorçage, l'appareil sera bruyant et il émettra plus de vapeur que la normale.

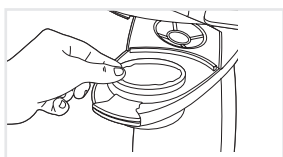
### INFUSION D'UN CAFÉ HOME CAFÉ<sup>mc</sup>



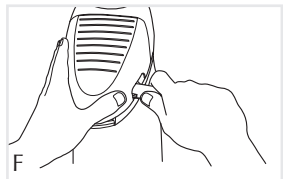
1. Retirer le réservoir de l'arrière de l'appareil. Le remplir d'eau au moins jusqu'à la marque 7, 9 oz et remettre le réservoir dans l'appareil.
2. Déverrouiller le couvercle de l'appareil en poussant la poignée du couvercle vers l'arrière de l'appareil (C).
3. Soulever le couvercle de l'appareil en position grande ouverte (D).



4. Insérer un sachet de café dans le porte-sachet en plaçant le côté plat vers le haut (E). Pour préparer une tasse de 414 ml (14 oz), retirer le porte-sachet, le renverser et le remettre dans l'appareil. Déposer deux sachets du côté profond du porte-sachet (avec les deux côtés plats vers le haut). Remplir le réservoir au moins jusqu'à la ligne de 414 ml (14 oz).



5. Déposer une tasse ou une chope sur la plaque d'infusion.
6. Refermer le couvercle.
7. Tout en tenant le dessus du couvercle d'une main, tirer la poignée du couvercle vers l'avant de l'appareil jusqu'à ce que le couvercle se verrouille (F).



8. Enfoncer le bouton d'infusion voulue. Le témoin d'infusion reste allumé jusqu'à la fin du cycle d'infusion.
9. Lorsque le témoin s'éteint, retirer la tasse de la plaque d'infusion et on peut alors savourer un café délicieux.
10. Pour jeter le sachet usé, déverrouiller le couvercle et retirer le sachet.

### INFUSION D'UN CAFÉ SPÉCIAL HOME CAFÉ<sup>mc</sup>






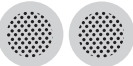
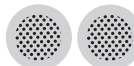
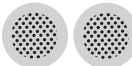
On pourra bientôt se procurer des sachets de café spécial chez son détaillant préféré. Visiter le site [www.homecafe.com](http://www.homecafe.com) pour obtenir de plus amples renseignements (en anglais seulement).

1. Suivre les étapes 1 à 3 précédentes.
2. Retirer le porte-sachet régulier et insérer le porte-sachet de café spécial (G).



3. Insérer un sachet de café spécial dans le porte-sachet en plaçant le côté plat vers le haut.
4. Déposer une tasse ou une chope sur la plaque d'infusion.
5. Refermer le couvercle et tirer la poignée du couvercle vers l'avant de l'appareil jusqu'à ce que le couvercle se verrouille.
6. Enfoncer le bouton d'infusion de 207 ml (7 oz). Les cafés spéciaux DOIVENT être infusés à l'aide du bouton de 207 ml (7 oz) afin de maximiser la saveur et la consistance du café. Le témoin d'infusion reste allumé jusqu'à la fin du cycle d'infusion.
7. Lorsque le témoin s'éteint, retirer la tasse de la plaque d'infusion et on peut alors savourer un café délicieux.
8. Lorsqu'on infuse un café spécial crémeux, il faut nettoyer le porte-sachet et l'écran antiéclaboussure après l'infusion ou à la fin du jour.

## Conseils pratiques relatifs à l'infusion

		
<b>207 ml (7 oz)</b>	<b>266 ml (9 oz)</b>	<b>414 ml (14 oz)</b>
		
<b>Corsé</b>	<b>Régulier</b>	<b>N/A</b>
		
<b>Très corsé</b>	<b>Corsé</b>	<b>Régulier</b>

Ne jamais utiliser un sachet à deux reprises. L'extraction du café est optimisée lors de l'infusion.

Ne pas utiliser des sachets endommagés.

Ne pas utiliser d'autres marques de sachets de café ni de la mouture avec un filtre. Afin d'optimiser la saveur du café, utiliser des sachets de café Folgers<sup>md</sup> ou Millstone<sup>md</sup> pour la cafetière Home Café<sup>mc</sup>.

## Entretien et nettoyage

L'utilisateur ne peut entretenir aucune composante du produit. En confier l'entretien à du personnel qualifié.

1. Avant de nettoyer l'appareil, le débrancher et le laisser refroidir complètement.
2. Déverrouiller la poignée du porte-sachet et soulever le couvercle de l'appareil.
3. Retirer le sachet et le jeter.
4. Retirer le porte-sachet ainsi que l'écran antiéclaboussure et les laver avec un détergent doux.
5. Essuyer les surfaces de l'appareil avec un chiffon doux et humide. Ne pas utiliser de produits nettoyants abrasifs car ils pourraient endommager les surfaces.
6. Bien rincer et assécher toutes les composantes. Ne jamais immerger l'appareil ni son socle.

## Dépôts de minéraux

À la longue, des minéraux peuvent se déposer dans la cafetière et la bloquer. La fréquence des rinçages dépend de la dureté de l'eau de la région et de l'usage de l'appareil. L'accumulation de dépôts peut nuire au fonctionnement de l'appareil et en diminuer la durée utile.

### Il est conseillé de détartrer régulièrement l'appareil.

1. Verser 236 ml (8 oz) de vinaigre blanc dans le réservoir. Ajouter 177 ml (6 oz) d'eau fraîche. (S'assurer que le porte-sachet et l'écran antiéclaboussure sont bien en place et qu'il n'y a pas de sachet.)
2. Déposer une tasse d'au moins 207 ml (7 oz) sur la plaque d'infusion.
3. Enfoncer le bouton de 207 ml (7 oz) et laisser infuser la solution nettoyante.
4. À la fin de l'infusion, vider la tasse et la déposer de nouveau sur la plaque d'infusion.
5. Enfoncer de nouveau le bouton de 207 ml (7 oz). Vider la tasse et la déposer de nouveau sur la plaque d'infusion.
6. Verser 473 ml (16 oz) d'eau fraîche et froide dans le réservoir.
7. Enfoncer le bouton de 207 ml (7 oz) pour rincer la solution nettoyante. Vider la tasse et la déposer de nouveau sur la plaque d'infusion.
8. Enfoncer le bouton de 207 ml (7 oz) pour répéter le processus.
9. Laver le porte-sachet et l'écran antiéclaboussure selon les directives de la rubrique sur l'entretien et le nettoyage.

**Rangement :** Débrancher l'appareil et le ranger dans un endroit propre et sec.

## Guide de dépannage

### L'appareil est vide au milieu de l'infusion.

Lorsque l'appareil est vide, il s'arrête automatiquement. Remplir le réservoir de nouveau. Recommencer avec une tasse propre et un nouveau sachet de café.

### Rien ne se produit lorsqu'on enfonce le bouton d'infusion.

S'assurer que l'appareil est branché, que le réservoir est plein et que la poignée du couvercle se trouve en position fermée. Lorsque l'appareil n'est toujours pas sous tension, composer le 1 800 466-3223.

### Le café n'est pas assez fort.

#### Solutions possibles :

- Utiliser deux sachets de café doux ou essayer un sachet de café corsé.
- Utiliser une tasse plus petite.
- \* Ne pas utiliser le même sachet à plus d'une reprise.

### Le café est trop fort.

#### Solutions possibles :

- Utiliser un sachet de café doux.
- Utiliser une plus grosse tasse.
- \* Ne pas utiliser le même sachet à plus d'une reprise.
- \*L'extraction du café est optimisée lors de l'infusion.

### Une pièce amovible de l'appareil est perdue.

Composer le 1 800 466-3223 ou visiter le site [www.homecafe.com](http://www.homecafe.com) (en anglais seulement) pour commander des pièces.

### Le porte-sachet est bloqué et l'appareil commence à déborder.

Enfoncer le bouton d'arrêt (STOP). Retirer et laver le porte-sachet et l'écran antiéclaboussure. Jeter le sachet de café. Ouvrir le couvercle et essuyer les orifices pour l'eau du dessous. Remettre le porte-sachets et l'écran antiéclaboussure en place, puis insérer un nouveau sachet de café. S'assurer qu'il y a de l'eau dans le réservoir et reprendre l'infusion.

## Questions et réponses

### Q. Quelle est la différence entre la cafetière HomeCafé<sup>mc</sup> et la cafetière que j'utilise présentement?

**R.** La cafetière HomeCafé<sup>mc</sup> se sert de sachet de café prémesuré de qualité et d'un processus d'infusion sous pression exclusif utilisé dans les brûleries. La cafetière HomeCafé<sup>mc</sup> permet d'infuser du café régulier et des cafés spéciaux.

### Q. Est-ce que je peux préparer un café expresso avec la cafetière HomeCafé<sup>mc</sup> ?

**R.** La cafetière HomeCafé<sup>mc</sup> ne permet pas de préparer un café expresso mais on peut utiliser deux sachets de café régulier au réglage de 207 ml (7 oz) pour obtenir un café corsé.

### Q. Qu'arrive-t-il si j'enfonce le mauvais bouton d'infusion?

**R.** Lorsqu'on enfonce le bouton d'arrêt (STOP) pendant l'infusion et qu'on choisit un autre type d'infusion, l'appareil risque de déborder. Il vaut mieux attendre la fin du premier cycle d'infusion choisi, puis de choisir le cycle voulu avec un nouveau sachet et une nouvelle tasse.

### Q. Puis-je utiliser des marques de café autres que Folgers<sup>md</sup> et Millstone<sup>md</sup> avec la cafetière HomeCafé<sup>mc</sup> ?

**R.** La cafetière HomeCafé<sup>mc</sup> est conçue spécialement pour servir avec des sachets HomeCafé<sup>mc</sup>. L'utilisation d'autres marques de sachets ou de mouture avec des filtres peut bloquer et endommager la cafetière HomeCafé<sup>mc</sup>.

### Q. Puis-je utiliser de la mouture ou du café soluble avec le porte-sachet? Même si j'utilise un filtre?

**R.** Non. La cafetière HomeCafé<sup>mc</sup> et les sachets ont été conçus spécialement pour servir ensemble. Du café soluble, de la mouture et des filtres ordinaires ne donnent pas d'aussi bons résultats avec la cafetière HomeCafé<sup>mc</sup>.

### Q. Est-ce que je peux préparer d'autres boissons avec la cafetière HomeCafé<sup>mc</sup> ?

**R.** Présentement, la cafetière HomeCafé<sup>mc</sup> permet de préparer plusieurs types de mélanges, de saveurs et de mouture de cafés Folgers<sup>md</sup> et Millstone<sup>md</sup>. Des sachets de café spéciaux seront bientôt en vente. Consulter le site [www.homecafe.com](http://www.homecafe.com) (en anglais seulement) pour obtenir de plus amples renseignements.

### Q. Que puis-je faire pour empêcher les éclaboussures qui surviennent à l'occasion?

**R.** Il peut y avoir des éclaboussures selon le type de tasse utilisée. Pour minimiser les éclaboussures, utiliser une chope haute. En cas d'éclaboussures, ne pas rester près de l'appareil afin d'éviter les brûlures.

### Q. Pourquoi y a-t-il deux porte-sachets différents avec l'appareil?

**R.** Le porte-sachet réversible sert pour les sachets de café régulier. La partie moins profonde sert pour un sachet et la partie profonde accepte deux sachet. L'autre porte-sachets sert pour les sachets de cafés spéciaux. Consulter le site [www.homecafe.com](http://www.homecafe.com) (en anglais seulement) pour obtenir de plus amples renseignements.

### Q. Puis-je infuser des sachet de café ordinaire dans le porte-sachet de café spécial?

**R.** Non. Le porte-sachet de café spécial est conçu spécialement pour les sachets de café spécial.

### Q. Puis-je infuser des sachets de café spécial dans le porte-sachet de café ordinaire?

**R.** Non. Les sachets de café spécial ne s'insèrent que dans le porte-sachet de café spécial.

### Q. Puis-je préparer une tasse de 266 ou de 414 ml (7 ou 9 oz) de café spécial?

**R.** Il faut préparer les sachets de café spécial au réglage de 207 ml (7 oz) pour maximiser la saveur et la consistance du café

### Q. Puis-je réutiliser un sachet de café?

**A.** Il n'est pas conseillé de les réutiliser. L'extraction du café est bien meilleure à la première infusion.

**Q. Pourquoi la cafetière HomeCafé<sup>mc</sup> émet-elle des bruits étranges après l'infusion d'une tasse de 207 ml (7 oz)?**

**A.** L'infusion d'une tasse de 207 ml (7 oz) consiste en un procédé d'infusion exclusif permettant de préparer du café régulier ainsi que des cafés spéciaux.

**Q. Puis-je utiliser un sachet de thé avec la cafetière HomeCafé<sup>mc</sup>?**

**A.** Non. La cafetière HomeCafé<sup>mc</sup> est conçue spécialement pour utiliser des sachets de café Folgers<sup>md</sup> et Millstone<sup>md</sup>.

**Q. Puis-je utiliser d'autres marques de sachets de café avec l'appareil?**

**A.** Non. Les sachets HomeCafé<sup>mc</sup> ont été conçus spécialement pour servir avec la cafetière HomeCafé<sup>mc</sup> afin de procurer la meilleure tasse de café qui soit à tout coup.

**NEED HELP?**

For service, repair or any questions regarding your appliance, call the appropriate "800" number on the cover of this book. **Do not** return the product to the place of purchase. **Do not** mail the product back to the manufacturer nor bring it to a service center. You may also want to consult the website listed on the cover of this manual.

**One-Year Limited Warranty  
(Applies only in the United States and Canada)**

**What does it cover?**

- Any defect in material or workmanship; provided; however, Applica's liability will not exceed the purchase price of the product

**For how long?**

- One year after the date of original purchase

**What will we do to help you?**

- Provide you with a reasonably similar replacement product that is either new or factory refurbished

**How do you get service?**

- Save your receipt as proof of the date of sale.
- Check our on-line service site at [www.prodprotect.com/applica](http://www.prodprotect.com/applica), or call our toll-free number, 1-800-231-9786, for general warranty service
- If you need parts or accessories, please call 1-800-738-0245.

**What does your warranty not cover?**

- Damage from commercial use
- Damage from misuse, abuse or neglect
- Products that have been modified in any way
- Products used or serviced outside the country of purchase
- Glass parts and other accessory items that are packed with the unit
- Shipping and handling costs associated with the replacement of the unit
- Consequential or incidental damages (Please note, however, that some states do not allow the exclusion or limitation of consequential or incidental damages, so this limitation may not apply to you.)

**How does state law relate to this warranty?**

- This warranty gives you specific legal rights, and you may also have other rights that vary from state to state or province to province.

**¿NECESITA AYUDA?**

Para servicio, reparaciones o preguntas relacionadas al producto, por favor llame al número del centro de servicio en el país donde usted compró su producto. NO devuelva el producto al fabricante. Llame o lleve el producto a un centro de servicio autorizado.

**DOS AÑOS DE GARANTÍA LIMITADA**

(No aplica en México, Estados Unidos o Canadá)

**¿Qué cubre la garantía?**

- La garantía cubre cualquier defecto de materiales o de mano de obra. Aplica no se responsabiliza por ningún costo que exceda el valor de compra del producto.

**¿Por cuánto tiempo es válida la garantía?**

- Por dos años a partir de la fecha original de compra.

**¿Cómo se puede obtener servicio?**

- Conserve el recibo original de compra.
- Por favor llame al número del centro de servicio autorizado.

**Esta garantía no cubre:**

- Los productos que han sido utilizados en condiciones distintas a las normales
- Los daños ocasionados por el mal uso, el abuso o negligencia.
- Los productos que han sido alterados de alguna manera
- Los daños ocasionados por el uso comercial del producto
- Los productos utilizados o reparados fuera del país original de compra
- Las piezas de vidrio y demás accesorios empacados con el aparato
- Los gastos de tramitación y embarque asociados al reemplazo del producto
- Los daños y perjuicios indirectos o incidentales

**Garantie limitée de un an  
(Valable seulement aux États-Unis et au Canada)****Quelle est la couverture?**

- Tout défaut de main-d'oeuvre ou de matériau; toutefois, la responsabilité de la société Aplica se limite au prix d'achat du produit.

**Quelle est la durée?**

- Un an après l'achat original.

**Quelle aide offrons nous?**

- Remplacement par un produit raisonnablement semblable nouveau ou réusiné.

**Comment se prévaut-on du service?**

- Conserver son reçu de caisse comme preuve de la date d'achat.
- Visiter notre site web au [www.prodprotect.com/aplica](http://www.prodprotect.com/aplica), ou composer sans frais le 1 800 231-9786, pour obtenir des renseignements généraux relatifs à la garantie.
- On peut également communiquer avec le service des pièces et des accessoires au 1 800 738-0245.

**Qu'est-ce que la garantie ne couvre pas?**

- Des dommages dus à une utilisation commerciale.
- Des dommages causés par une mauvaise utilisation ou de la négligence.
- Des produits qui ont été modifiés.
- Des produits utilisés ou entretenus hors du pays où ils ont été achetés.
- Des pièces en verre et tout autre accessoire emballés avec le produit.
- Les frais de transport et de manutention reliés au remplacement du produit.
- Des dommages indirects (il faut toutefois prendre note que certains états ne permettent pas l'exclusion ni la limitation des dommages indirects).

**Quelles lois régissent la garantie?**

- Les modalités de la présente garantie donnent des droits légaux spécifiques. L'utilisateur peut également se prévaloir d'autres droits selon l'état ou la province qu'il habite.



**Póliza de Garantía**

(Válida sólo para México)

**Duración**

Applica de México, S. de R. L. de C.V. garantiza este producto por 2 años a partir de la fecha original de compra.

**¿Qué cubre esta garantía?**

Esta Garantía cubre cualquier defecto que presenten las piezas, componentes y la mano de obra contenidas en este producto.

**Requisitos para hacer válida la garantía**

Para reclamar su Garantía deberá presentar al Centro de Servicio Autorizado la póliza sellada por el establecimiento en donde adquirió el producto. Si no la tiene, podrá presentar el comprobante de compra original.

**¿Dónde hago válida la garantía?**

Llame sin costo al teléfono 01 800 714 2503, para ubicar el Centro de Servicio Autorizado más cercano a su domicilio en donde usted podrá encontrar partes, componentes, consumibles y accesorios.

**Procedimiento para hacer válida la garantía**

Acuda al Centro de Servicio Autorizado con el producto con la póliza de Garantía sellada o el comprobante de compra original, ahí se reemplazará cualquier pieza o componente defectuoso sin cargo alguno para el usuario final. Esta Garantía incluye los gastos de transportación que se deriven de su cumplimiento.

**Excepciones**

Esta Garantía no será válida cuando el producto:

- A) Se hubiese utilizado en condiciones distintas a las normales.
- B) No hubiese sido operado de acuerdo con el instructivo de uso que le acompaña.
- C) Cuando el producto hubiese sido alterado o reparado por personas no autorizadas por Applica de México, S. de R. L. de C.V.

**Nota:** Si el cordón de alimentación es dañado, este debe ser reemplazado por el fabricante o por un Centro de Servicio Autorizado para evitar el riesgo.

Por favor llame al número correspondiente que aparece en la lista a continuación para solicitar que se haga efectiva la garantía y donde Ud. puede solicitar servicio, reparaciones o partes en el país donde el producto fué comprado.

**Argentina**

Servicio Técnico Central  
Service New S.R.L.  
Atención al Cliente  
Ruiz Huidobro 3860  
Buenos Aires, Argentina  
Tel.: (54-11) 4546-1212

**Chile**

Servicio Máquinas y Herramientas  
Ltda.  
Av. Apoquindo No. 4867 - Las  
Condes  
Santiago, Chile  
Tel.: (562) 263-2490

**Colombia**

PLINARES  
Avenida Ciudad de Quito #88-09  
Bogotá, Colombia  
Tel.: (57-1) 610-1604/533-4680

**Costa Rica**

Aplicaciones Electromecánicas, S.A.  
Calle 26 Bis y Ave. 3  
San Jose, Costa Rica  
Tel.: (506) 257-5716 / 223-0136

**Ecuador**

Castelcorp  
Km 2-1/2 Avenida Juan T. Marengo  
junto Dicentro  
Guayaquil, Ecuador  
Tel.: (5934) 224-7878/224-1767

**El Salvador**

Sedeblock Calle A San Antonio  
Abad  
y Av. Lisboa, Edif. Lisboa Local #21  
San Salvador, El Salvador  
Tel.: (503) 274-1179 / 274-0279

**Guatemala**

MacPartes, S.A.  
34 Calle 4-14 Zona 9  
Frente a Tecun  
Guatemala City, Guatemala  
Tel.: (502) 331-5020 / 360-0521

**Honduras**

Lady Lee  
Centro Comercial Mega Plaza  
Carretera a la Lima  
San Pedro Sula, Honduras  
Tel.: (504) 553-1612

**México**

Art. 123 y José Ma. Marroquí  
#28-D  
Centro.  
Mexico D.F.  
Tel.: (55) 5512-7112  
(55) 5512-3164

**Nicaragua**

H & L Electronic  
Zumen 3, C. Arriba y 15  
Varas al Sur  
Managua, Nicaragua  
Tel.: (505) 260-3262

**Panamá**

Authorized Service Center  
Electrodomésticos, S.A.  
Boulevard El Dorado,  
al lado del Parque de las Mercedes  
Panamá, Panamá  
Tel.: (507) 236-5404

**Perú**

AV. REPUBLICA DE PANAMA 3535  
Ofic 1303  
San Isidro  
Lima, Peru  
Tel.: 2 22 44 14  
Fax: 2 22 44 04

**Puerto Rico**

Buckeye Service  
Jesús P. Piñero #1013  
Puerto Nuevo, SJ PR 00920  
Tel.: (787) 782-6175

**Republica Dominicana**

Plaza Lama, S.A.  
Av. Duarte #94  
Santo Domingo, República  
Dominica  
Tel.: (809) 687-9171

**Trinidad Tobago**

A.S. Bryden & Sons (Trinidad)  
Limited  
33 Independence Square,  
Port Spain  
Trinidad, W.I.  
Tel.: (868) 623-4696

**Venezuela**

Tecno Servicio TS2002  
Av. Casanova  
Centro Comercial del Este Local 27  
Caracas, Venezuela  
Tel.: (58-212) 324-0969

Sello del Distribuidor:


Fecha de compra:

Modelo:

**Comercializado por:**  
Applica de México, S. de R. L. de C.V.  
Manuel Avila Camacho No. 2900-902,  
Torre el Dorado, Fracc. Los Pirules,  
Tlalnepantla, Edo. de México, CP 54040.  
R. F. C. AME-001026- PE3.

**Servicio y Reparacione**  
Art. 123 y José Ma. Marroquí # 28 D  
Col. Centro, Mexico D. F., CP 06050

**Servicio al Consumidor,**  
Venta de Refacciones y Accesorios  
01 800 714 2503

 **BLACK&DECKER** is a trademark of The Black & Decker Corporation, Towson, Maryland, USA  
Marca registrada de *The Black & Decker Corporation*, Towson, Maryland, E.U.  
Marque de commerce déposée de la société *The Black & Decker Corporation*, Towson, Maryland, É.-U.

HomeCafe™ is a trademark of *The Procter & Gamble Company*  
Marca registrada de *The Procter & Gamble Company*  
HomeCafe est une marque de commerce de la société *The Procter & Gamble Company*.

Folgers® and Millstone® are registered trademarks of *The Procter & Gamble Company*  
Folgers® y Millstone® son marcas registradas de *The Procter & Gamble Company*  
Folgers<sup>md</sup> et Millstone<sup>md</sup> sont des marques de commerce déposées de la société  
*The Procter & Gamble Company*.

1400 W 120 V ~ 60 Hz

Copyright © 2004 Applica Consumer Products, Inc.  
Pub. No. 1000001238-00-RV01

Made in Mexico  
Printed in Mexico

Fabricado por: Applica Manufacturing S. de R.L. de C.V.  
Acceso III No. 26, Fracc. Industrial Benito Juárez.  
C.P. 76120, Querétaro. QRO.  
Teléfono: (44) 211-7800



R12004/6-7-3E/S/F

Fabricado en México  
Impreso en México

Fabriqué au Mexique.  
Imprimé au Mexique.